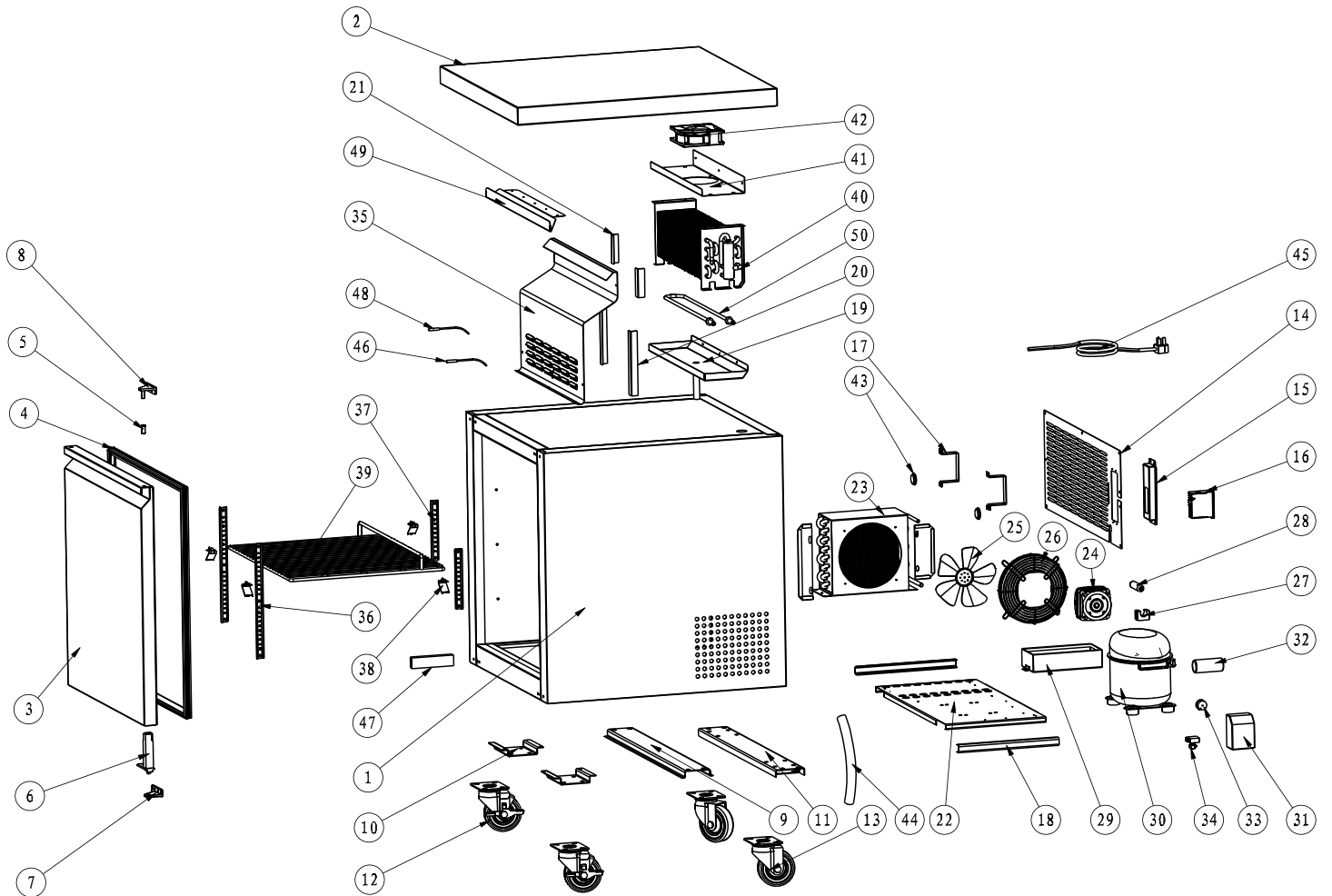


Parts Breakdown

Model FR-CN-0686-BS-HC 50094



Parts Breakdown

Model FR-CN-0686-BS-HC 50094

| Item No. | Description | Position | Item No. | Description | Position | Item No. | Description | Position |
|----------|--|----------|----------|--|----------|----------|---|----------|
| AF730 | Cabinet for 50094 | 1 | AF080 | Stand Off Bracket for 50094 | 17 | AF089 | K Strip-2 Holes for 50094 | 37 |
| AM691 | Top Board for 50094 | 2 | AF085 | Compressor Unit Track for 50094 | 18 | 26884 | K Clip for 50094 | 38 |
| AB172 | Door for 50094 | 3 | AF737 | Inner Drain Pan for 50094 | 19 | AB166 | Shelf for 50094 | 39 |
| AB146 | Gasket for 50094 | 4 | AF738 | Evaporator Cover Sticker for 50094 | 20 | AB167 | Evaporator for 50094 | 40 |
| AA388 | Axis Cover for 50094 | 5 | AF739 | Evaporator Cover Sticker for 50094 | 21 | AF742 | Fan Motor Installation Board for 50094 | 41 |
| AA955 | Left/Right Spring Hinge for 50094 | 6 | AF086 | Compressor Unit Installation Board for 50094 | 22 | AE901 | Evaporator Fan Motor for 50094 | 42 |
| AA360 | Hinge T for 50094 | 7 | AA709 | Condenser for 50094 | 23 | AB169 | Foaming Hole Cover for 50094 | 43 |
| AF070 | Hinge X for 50094 | 8 | AF030 | Evaporator Fan Motor for 50094 | 24 | AA133 | Drain Hose for 50094 | 44 |
| AF733 | Castor Support B for 50094 | 9 | AA208 | Condenser Fan Blade for 50094 | 25 | AA135 | Power Cord for 50094 | 45 |
| AF734 | Castor Support C for 50094 | 10 | AA207 | Condenser Fan Motor Cover for 50094 | 26 | AA379 | Temperature Probe for 50094 | 46 |
| AF735 | Castor Support A for 50094 | 11 | AB595 | Filter Fixer for 50094 | 27 | AA596 | Thermometer for 50094 | 47 |
| 26246 | Caster with Brake for 50094 | 12 | AB594 | Filter D25x160-B for 50094 | 28 | AB084 | Evaporator Temperature Sensor for 50094 | 48 |
| 26247 | Caster without Brake for 50094 | 13 | AF087 | Outer Drain Pan for 50094 | 29 | AF753 | Air Flue Board for 50094 | 49 |
| AF736 | Back Grill for 50094 | 14 | AE906 | Compressor for 50094 | 30 | AF754 | Defrost Heater for 50094 | 50 |
| AB320 | Thermostat Installation Board for 50094 | 15 | AF741 | Evaporator Cover for 50094 | 35 | | | |
| AA324 | Carel Temperature Controller-PYGX-AZ0586 for 50094 | 16 | AF090 | K Strip-3 Holes for 50094 | 36 | | | |